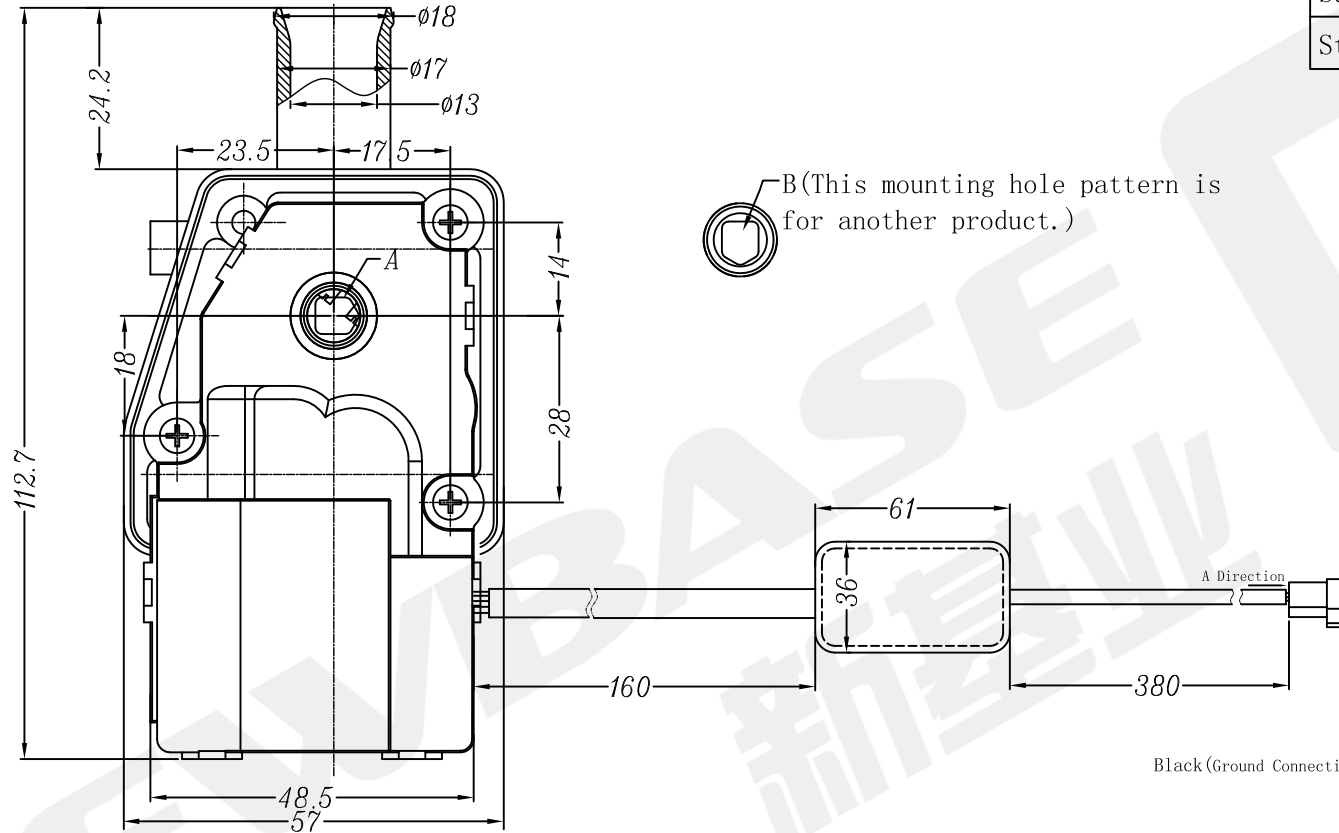
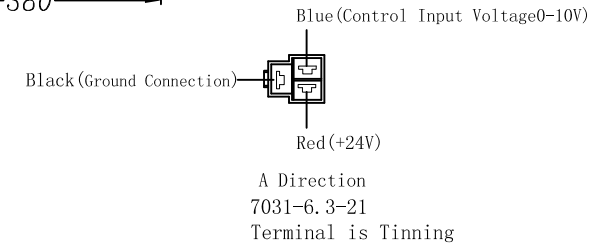


Technical data	
Power supply	DC12V(DCBV-DC16V)
Power consumption	3W
Working current	max. 108mA
Torque	4kgf.cm
Lock-up Torque	12kgf.cm
Lock-up Current	Max.300mA
Service Life	200000 cycle
Dimensions	112.7*57*11mm

Surface Roughness	
Heat Treatment	
Surface Treatment	
Standard Tolerance	



B(This mounting hole pattern is for another product.)



NAME			heater tap		PART NO.	V-control heater tap
DESIGNED						
CHECKED						
APPROVED						
WEIGHT	SCALE	DATE	NEWBASE AUTO ELECTRONICS CO.,LTD			