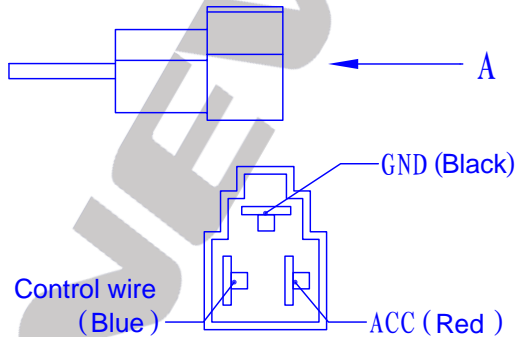
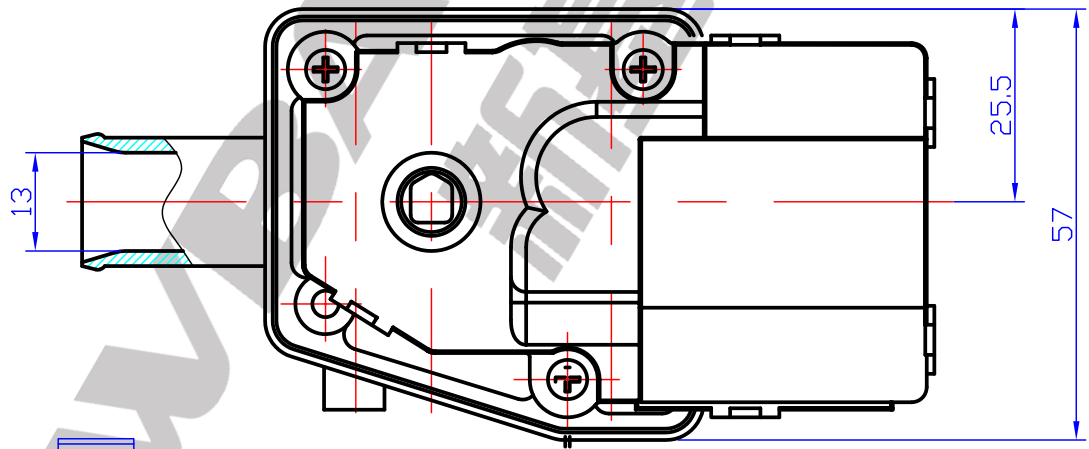
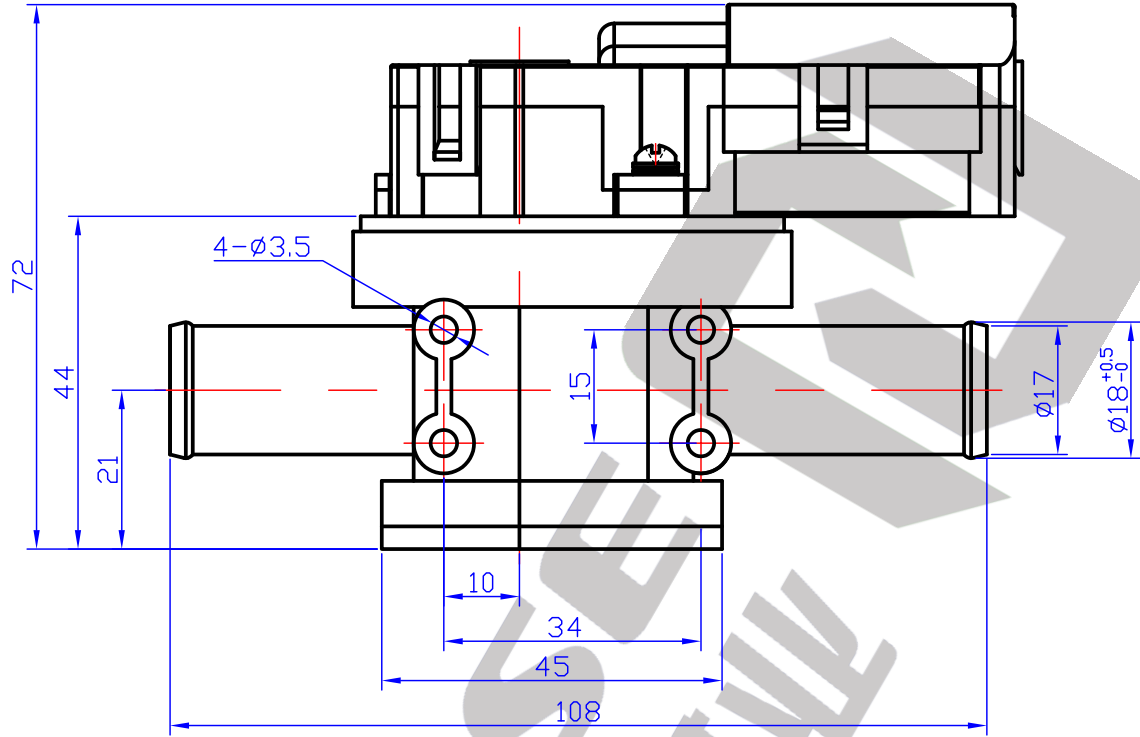


| Technical data | |
|---------------------|----------------------|
| Power supply | DC12/DC24V |
| Medium | Cold/hot water |
| Flow characteristic | Linear |
| Rotate angle | 90°(Adjustable) |
| Max. diameter | DN10 |
| Installation | Horizontally upright |
| Medium temp. | -5-100° |
| Dimensions | 112*57*72mm |



Connector Model: DJ7031-6. 3-11

Rated voltage: DC 12/ 24V
Working voltage: DC 9-16V / 20 - 32V
Rated current: < 0.1A
Flow rate: >900 L/h

Normal status = closed
Add blue wire to positive power, valve open
Add blue wire to GND or NC, valve closed

| NAME | | | PART NO. | |
|----------|-------|------|----------------------------------|--|
| DESIGNED | | | WATER VALVE | |
| CHECKED | | | MATERIAL | |
| APPROVED | | | | |
| WEIGHT | SCALE | DATE | NEWBASE AUTO ELECTRONICS CO.,LTD | |